

MASSAGE BATHTUB

DIRECTIONS FOR USE AND INSTALLATION



MODEL:SW-YG94 R
SIZE:1750×800×680mm

1.ELECTRIC INSTALLATION

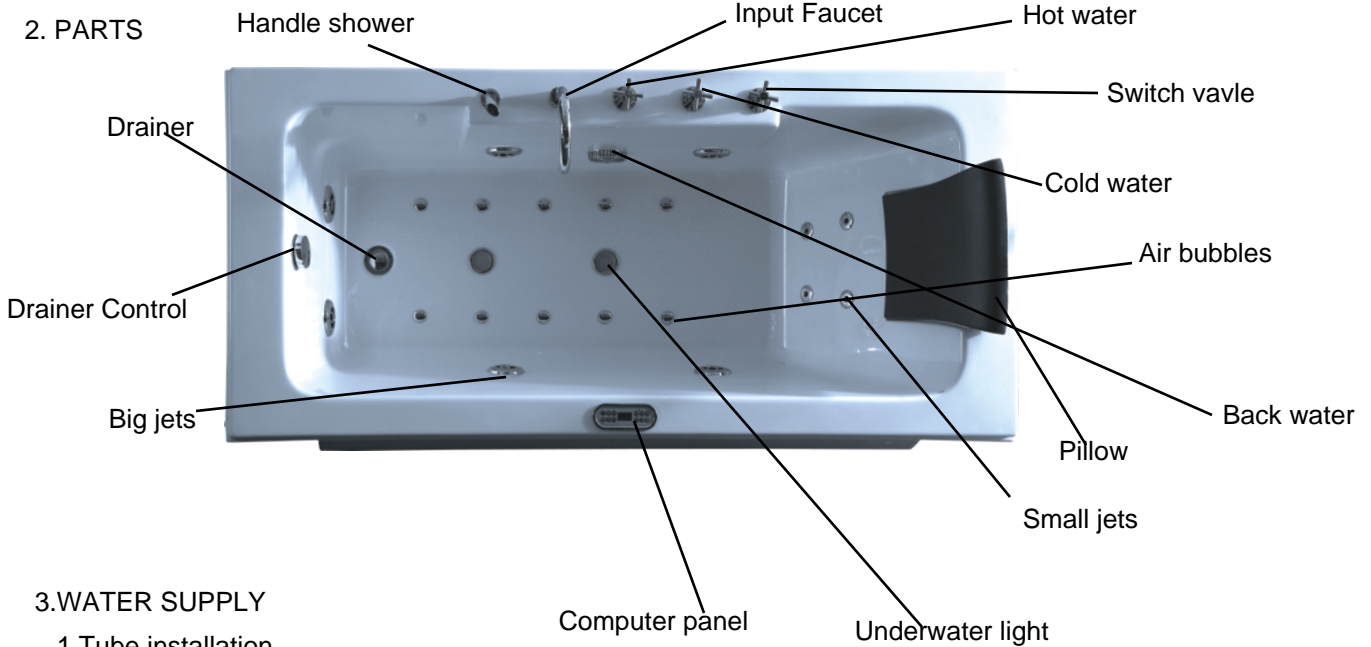
1.Electric Parameter

Rated Voltage(V)	Rated Requency(HZ)	Pump Power(W)	
110	60	900	
220	50	1125	✓

2.The power supply connected to the tub must be installed with anti-creepage switch.

The circuit must be immovable and has good earthing. The area of the electrical wire msut be more than 2.5 m2. The power supply must be accord with the standards issued by the government. The earthing should be connected by the sign on the bottom shelf.(The anti-creepage equipment is prepared by customer).

2. PARTS



3.WATER SUPPLY

1.Tube installation

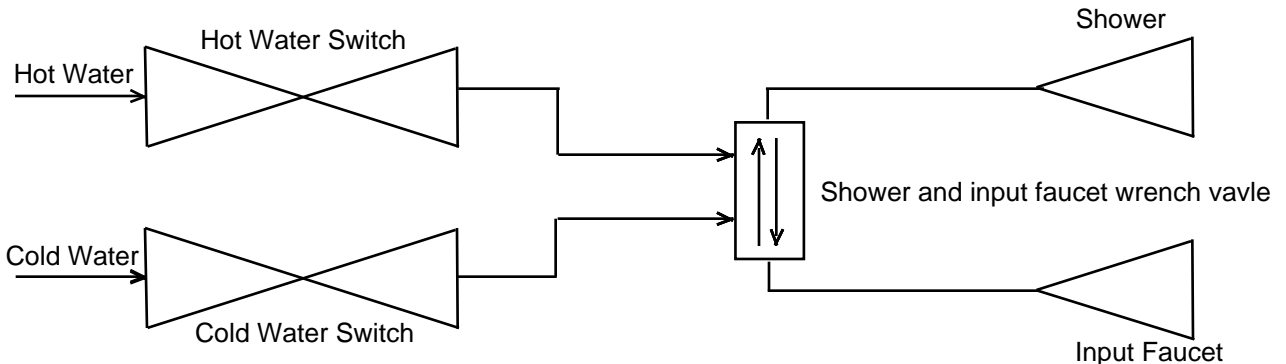
A.Water

The water parts were installed in the factory, so the input hot and cold water tubes should be connected to the right points of the tub,all the tieins should place at the back of the tub in order not to be seen.

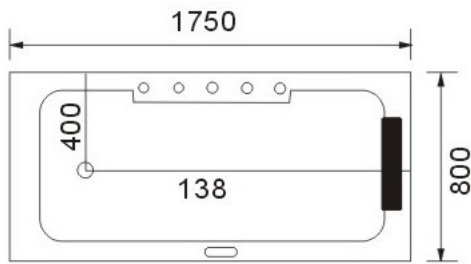
B.Draining

The drainage water should be drained through soft tube to the right draining end.A 3/2 inch tie-in must be used on the tub end.

2.Water supply figure



3.DIMENSION FIGURE



4.HOW TO INSTALL THE TUB

- A.Be careful in the transportation in order not to scrap the product.
- B.Connect the drainer to the draining tube, a soft tube can be used if necessary.
- C.Adjust the support points, make the tub horizontal.
- D.Ensure the distance between the wall and the apron of the tub is about 0.5cm, sealant should be used to fill up the aperture.
- E.Put down the apron of the tub, the short apron first,then the long apron.Put the apron between the edge of the tub and the fastened plastic panel, install the ornament caps with screws.

5.OPERATIONAL INSTRUCTIONS

- 1.Turn on the power.
- 2.Turn on the cold and hot water wrench valve, make the temperature of the water comfortable.Faucet and shower wrench valve should be used to choose faucet or shower.
- 3.Do not push the air switch before the level of the water is higher than the height of the nozzles.
- 4.Air adjust should be used to control the massage.
- 5.The effect of the shower can be changed by wrenching the shower.
- 6.After using the tub, push the air switch to stop the massage pump,turn the drainer to drain the water.
- 7.Turn off the power.

6.CLEARANCE AND MAINTENANCE

- A.Please use a soft and dry cloth to clean the tub and walls.
- B.The minor stains can be cleaned away with a soft cloth or a sponge and a neutral cleanser.Do not use nylon products,it may cause scuffs to tour bathtub and your tub may get dirty easily.
- C.Please use alcohol to clean hard stains.
- D.If the caulking is worn.Leakage will occur.Re-caulk at once.

7.SECURITY INSTRUCTIONS

- A.The electric installation must be done by a professional person.
- B.The power parameters must be accord with the standards issued by the government.And all the electric equipment should be waterproof.
- C.Cold water should be put in first,then put in the hot water, do not turn on the tub before the water level reaches the nozzles.
- D.This series of tub use the power of 220V or 110V ,the voltage must be steady,else it can not be used.
- E.Power must be off after finishing using the tub.
- F.The tub must have a rest after using an hour.

8. SOCKET AND WATER INLET POSITION

